

pH Electrodes

Table of Contents

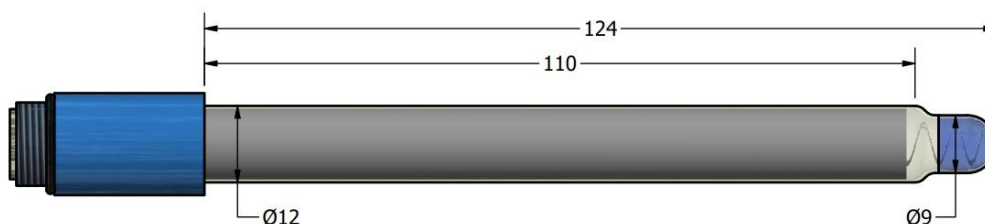
1 Standard Products.....	1
1.1 211/SGG/12.....	1
1.2 411/CGG/12.....	2
1.3 411/CGG/6.....	2
1.4 411/CGG/6JZ.....	2
1.5 401/PM3/12.....	3
1.6 421/CGP/12.....	3
1.7 411/TGG/12 (101L-DGSM).....	3
1.8 405/DXK/12.....	4
2 Custom Products.....	4
2.1 Conical Tapered Joint.....	4
2.2 Connection Plug.....	4
2.3 Hydrodynamic Measurements.....	5

1 Standard Products

The products listed below are commonly available in our warehouse, but we are glad to deliver any ad hoc solution for you needs. Please refer to section 2 for customization capabilities and feel free to submit your request to our team. Electrodes are fully customizable in dimensions and materials. Dimensions in mm.

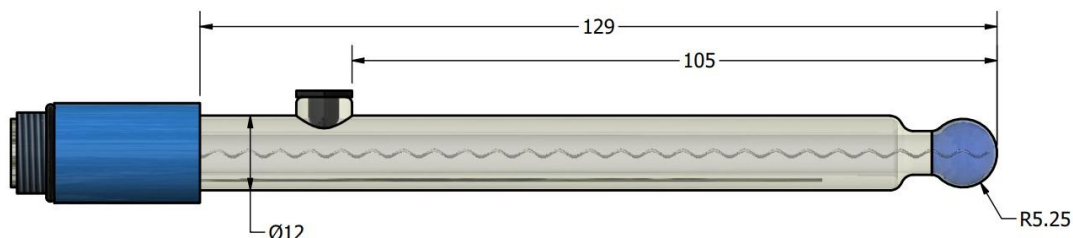
1.1 211/SGG/12

Standard electrode for pH measurement with sensible membrane for 0 to 14pH measurements. Ø12mm glass body, 124mm useful length. Working temperature range 0 to 100°C. 3.3M KCl filling electrolyte. Compatible with 391/CR plastic NS12 conical tapered adapter.



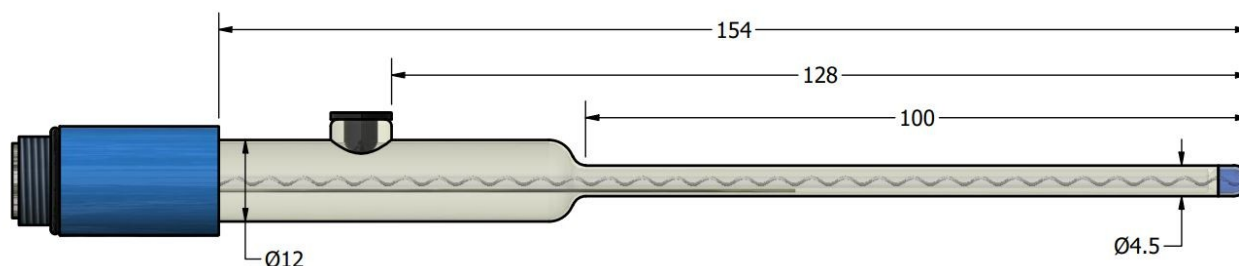
1.2 411/CGG/12

Combined electrode for pH measurement with Ag/AgCl reference. Highly sensible membrane for 0 to 14pH measurements in the 0 to 100°C temperature range. Ø12mm glass body, 105mm useful length. 3.3M KCl filling electrolyte. Compatible with 391/CR plastic NS12 conical tapered adapter.



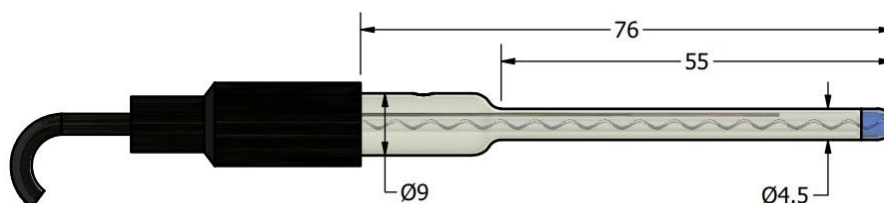
1.3 411/CGG/6

Combined electrode for pH measurement with Ag/AgCl reference. Highly sensible membrane for 0 to 14pH measurements in the 0 to 100°C temperature range. Ø4.5mm glass body, 100mm useful length. 3.3M KCl filling electrolyte. Compatible with 391/CR/6JZ PTFE NS6 conical tapered adapter.



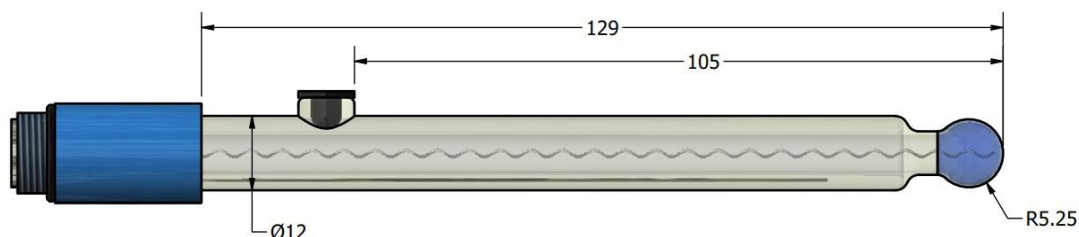
1.4 411/CGG/6JZ

Small size combined electrode for pH measurement with Ag/AgCl reference. Highly sensible membrane for 0 to 14pH measurements in the 0 to 100°C temperature range. Ø4.5mm glass body, 55mm useful length. 3.3M KCl filling electrolyte. Compatible with 391/CR/6JZ PTFE NS6 conical tapered adapter. Developed to fit AMEL Model 4330 voltammetric analyzer for continuous monitoring of pH during measurements.



1.5 401/PM3/12

Combined electrode for pH measurement with Ag/AgCl reference. Highly sensible membrane for 0 to 14pH measurements in the 0 to 100°C temperature range. Ø12mm glass body, 105mm useful length. Triple ceramic frit for the most demanding situations, where solutions might precipitate and occlude the frits. 3.3M KCl filling electrolyte. Compatible with 391/CR plastic NS12 conical tapered adapter.



1.6 421/CGP/12

Combined electrode for pH measurement with Ag/AgCl reference. Highly sensible membrane for 0 to 14pH measurements in the 0 to 40°C temperature range. Ø12mm plastic body. 3.3M KCl filling electrolyte. Compatible with 391/CR plastic NS12 conical tapered adapter.



1.7 411/TGG/12

Combined electrode for pH measurement with Ag/AgCl reference. Highly sensible membrane for 0 to 14pH measurements in the 0 to 100°C temperature range. Ø12mm glass body. Double salt bridge to avoid silver contamination of the working solution. 3.3M KCl internal filling electrolyte and KNO₃ typical external electrolyte. Compatible with 391/CR plastic NS12 conical tapered adapter.



1.8 405/DXK/12

Combined electrode for pH measurement with Ag/AgCl reference. Highly sensible membrane for 0 to 14pH measurements in the 0 to 100°C temperature range. Ø12mm glass body. KCl gel electrolyte for applications in any direction, even upside down. Compatible with 391/CR plastic NS12 conical tapered adapter.

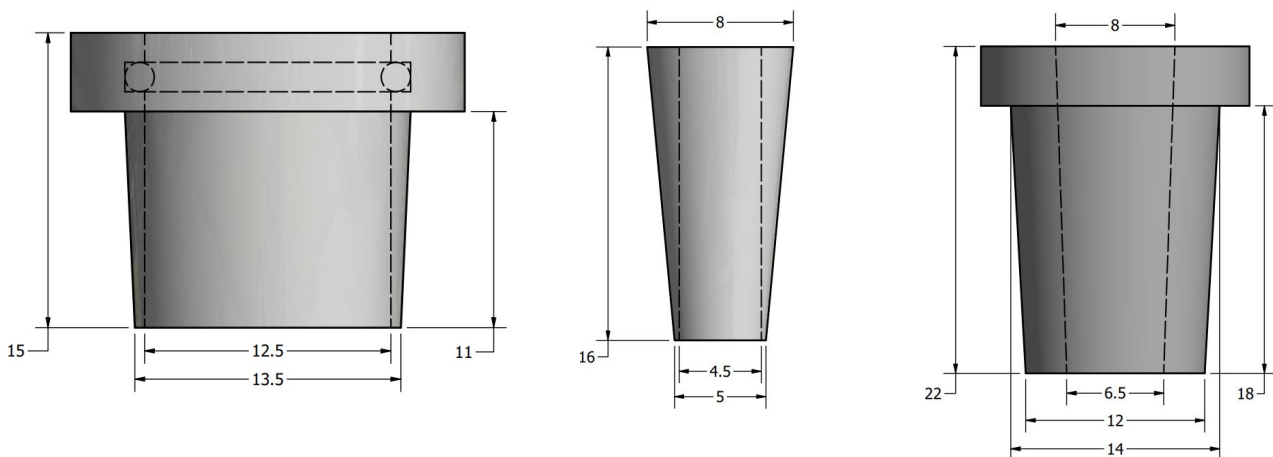


2 Custom Products

The available customizations are here listed. Submit our team a request if you need anything different and we will be pleased to help. Further ad hoc solutions have been developed for severe working pressures or non-conventional tube length, material and shape.

2.1 Conical Tapered Joint

Any electrode, either 4.5mm or 12mm body, can be equipped with plastic conical tapered joint adapter that allows for extended applications. Model 391/CR (left) has been developed for 12mm electrodes with O-Ring sealing for airtight installations, this NS12 plastic adapter can be easily removed by hand allowing for multiple uses of the same electrode. Model 391/CR6JZ (centre) is a PTFE NS6 adapter pressure fitted on 4.5mm electrodes upon request. Model 435/CR (right) allows for the use of NS6 conical tapered electrodes on NS12 fitting cells. Dimensions in mm. Adapters for specific applications can be produced.



2.2 Connection Plug

Commonly, laboratory pH electrodes come with S7 plug or through cable. Non-detachable wire is particularly indicated for industrial applications. Other connection plugs are available, feel free to get in touch with our team.

2.3 Hydrodynamic Measurements

In order to perform in-line recording of solution pH, Model 194, in the figure below, has been developed being able to accommodate any 12mm body electrode.

