

Thermometric Probes

Table of Contents

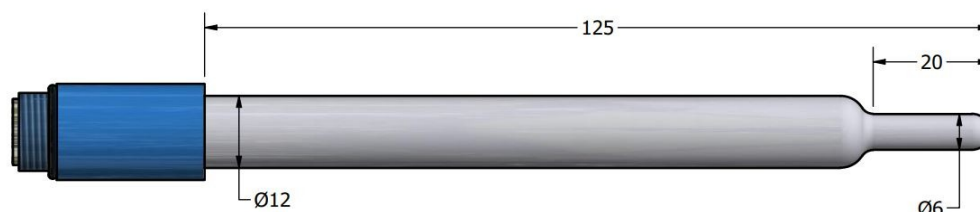
1 Standard Products.....	1
1.1 PT1000.....	1
1.2 PT1000/P.....	2
1.3 PT100.....	2
1.4 TC100.....	2
1.5 TC100/A.....	3
2 Custom Products.....	3
2.1 Conical Tapered Joint.....	3
2.2 Connection Plug.....	3
2.3 Hydrodynamic Measurements.....	4

1 Standard Products

The products listed below are commonly available in our warehouse, but we are glad to deliver any ad hoc solution for you needs. Please refer to section 2 for customization capabilities and feel free to submit your request to our team. Electrodes are fully customizable in dimensions and materials. Dimensions in mm.

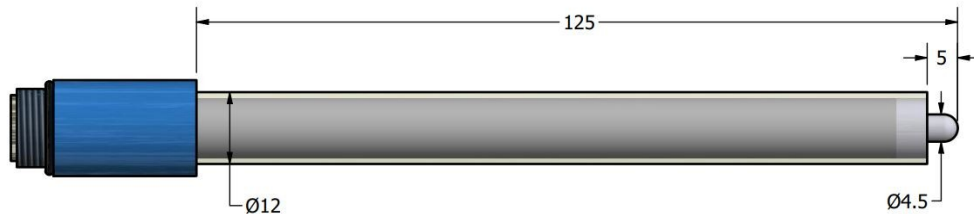
1.1 PT1000

Glass thermometric probe for measurements in the range 0 to 100°C. Active ending of 20mm with diameter 6mm. Compatible with 391/CR plastic NS12 conical tapered adapter. S7 connector.



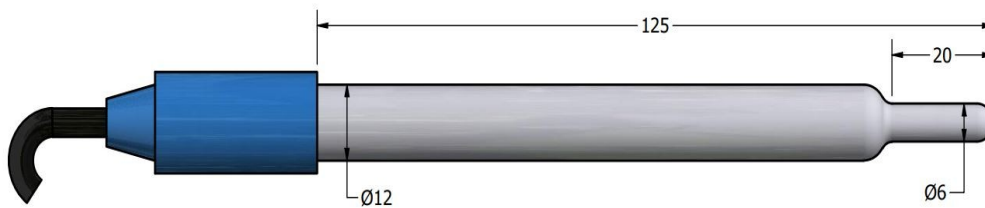
1.2 PT1000/P

Plastic body thermometric probe for measurements in the range 0 to 50°C. Glass active ending of 5mm with diameter 6mm. Compatible with 391/CR plastic NS12 conical tapered adapter. S7 connector.



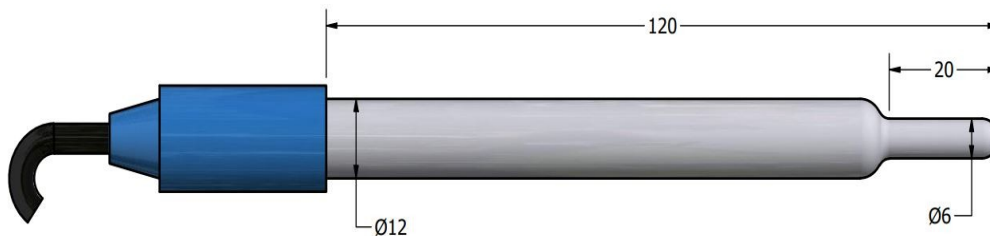
1.3 PT100

Glass thermometric probe for measurements in the range 0 to 100°C. Active ending of 20mm with diameter 6mm. Compatible with 391/CR plastic NS12 conical tapered adapter. Typical four cables connection.



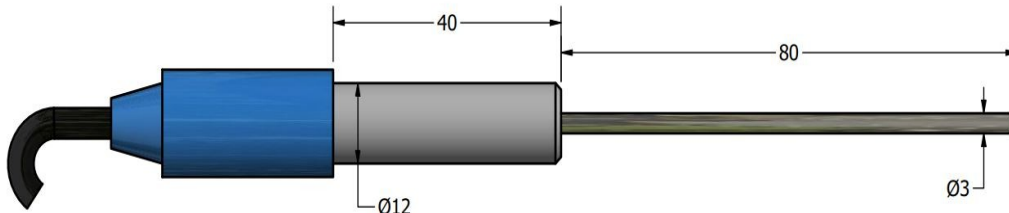
1.4 TC100

Glass thermometric probe for measurements in the range 0 to 120°C. Active ending of 20mm with diameter 6mm. Compatible with 391/CR plastic NS12 conical tapered adapter. Typical four cables connection.



1.5 TC100/A

Stainless steel thermometric probe for measurements in the range 0 to 120°C. Active ending of 80mm with diameter 3mm. Compatible with 391/CR plastic NS12 conical tapered adapter. Typical four cables connection.

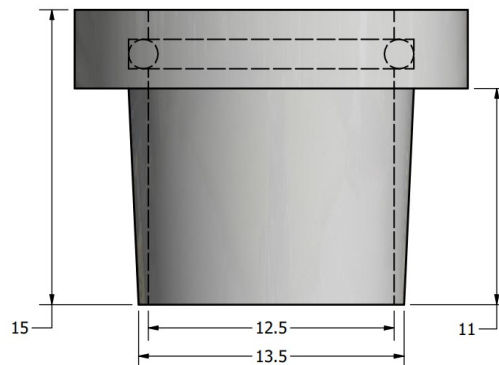


2 Custom Products

The available customizations are here listed. Submit our team a request if you need anything different and we will be pleased to help. Further ad hoc solutions have been developed for severe working pressures or non-conventional tube length, material and shape.

2.1 Conical Tapered Joint

Any electrode can be equipped with plastic conical tapered joint adapter that allows for extended applications. Model 391/CR has been developed for 12mm electrodes with O-Ring sealing for airtight installations, this NS12 plastic adapter can be easily removed by hand allowing for multiple uses of the same electrode. Dimensions in mm. Adapter for specific applications can be produced.



2.2 Connection Plug

Commonly, laboratory temperature probes come in 2 cables (PT1000, S7 connector) or 4-cables (PT100 and TC100, through cable) configurations. Other connection plugs are available, feel free to get in touch with our team.

2.3 Hydrodynamic Measurements

In order to perform in-line recording of solution temperature, Model 194, in the figure below, has been developed being able to accommodate any 12mm body electrode.

