



Solid Electrodes

Table of Contents

1 Standard Products.....	2
1.1 Platinum.....	2
1.1.1 805/SPG/12.....	2
1.1.2 805/SPG/12R.....	2
1.1.3 805/SPG/12L.....	2
1.1.4 805/SPG/12-45.....	3
1.1.5 805/SPG/12-X.....	3
1.1.6 805/SPG/6.....	3
1.1.7 805/SPG/6JZ.....	4
1.1.8 805/TPG/6JZ-C.....	4
1.1.9 805/SPP/12.....	4
1.1.10 805/SPP/2.....	5
1.1.11 805/SEP/10.....	5
1.1.12 805/SMP/40.....	5
1.2 Silver.....	6
1.2.1 800/SSP/12-X.....	6
1.3 Graphite.....	6
1.3.1 810/SGP/8.....	6
1.4 Gold.....	6
1.4.1 820/SGG/12-X.....	6
1.5 Generic.....	7
1.5.1 8XX/METAL.....	7
1.6 Minielectrode Tips.....	7
1.6.1 493.....	7
1.6.2 493/6JZ.....	7
1.6.3 492S/X.....	8
1.6.4 492/X.....	8
2 Custom Products.....	9
2.1 Conical Tapered Joint.....	9
2.2 Connection Plug.....	9

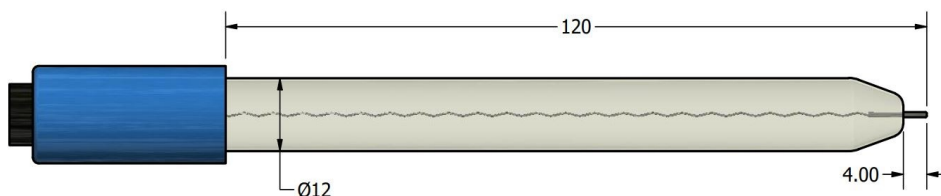
1 Standard Products

The products listed below are commonly available in our warehouse, but we are glad to deliver any ad hoc solution for you needs. Please refer to section 2 for customization capabilities and feel free to submit your request to our team. Electrodes are fully customizable in dimensions and materials, we can also produce solid electrodes using metals provided by our customers. Dimensions in mm.

1.1 Platinum

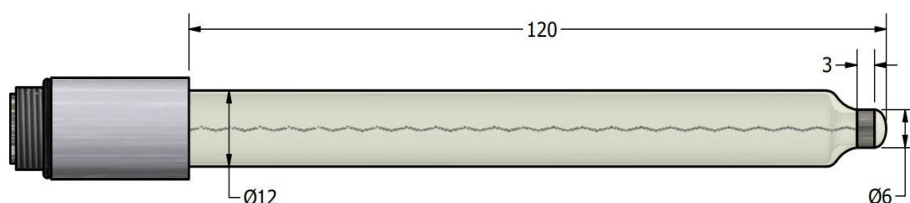
1.1.1 805/SPG/12

Standard 12mm glass body platinum electrode. 120mm overall useful length. The metallic ending is a $\text{Ø}1 \times 4\text{mm}$ platinum wire.



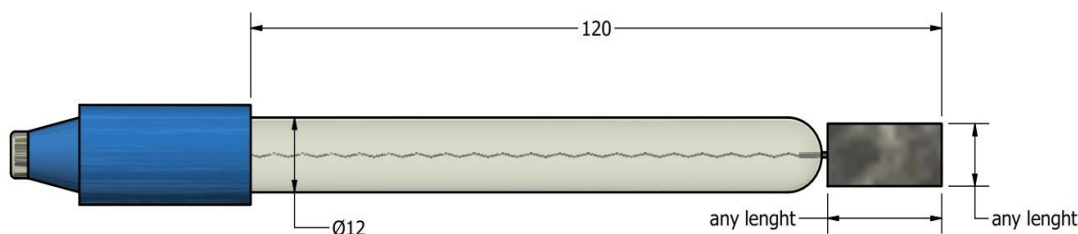
1.1.2 805/SPG/12R

Standard 12mm glass body platinum electrode. 120mm overall useful length. The metallic ending is a platinum ring of diameter 6mm and height 3mm. Available with S7 connector only.



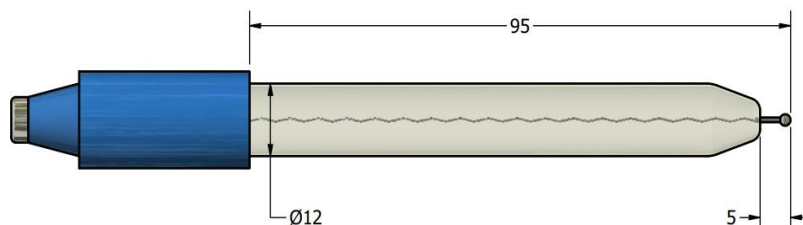
1.1.3 805/SPG/12L

Standard 12mm glass body platinum electrode. Fully customizable platinum lamina dimensions and electrode length, being anyway typically 120mm.



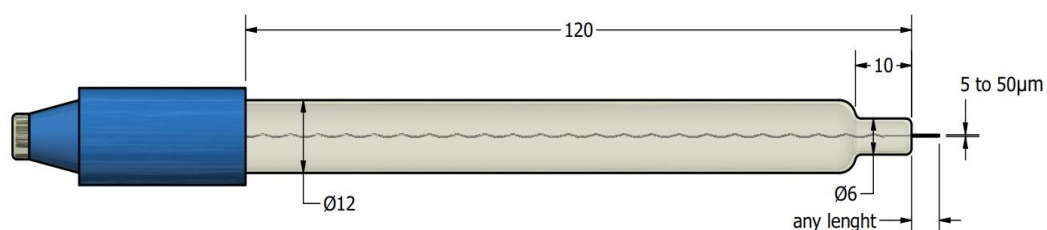
1.1.4 805/SPG/12-45

Short 12mm glass body platinum electrode. 95mm overall useful length. The metallic ending is a 2mm ball on a 0.8mm platinum wire. Usually equipped with NS12 conical tapered joint adapter 391/CR to be used with electrochemical cell Model 598.



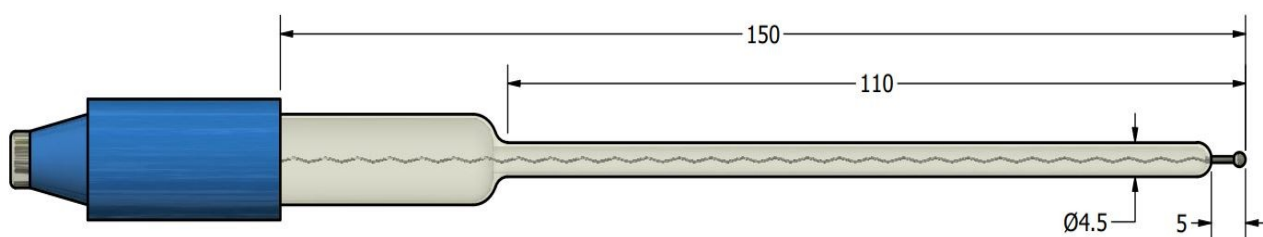
1.1.5 805/SPG/12-X

Platinum microelectrode for ultrafast measurements. 12mm glass body. The metallic ending can be customized both in wire diameter and length. Manufactured upon request.



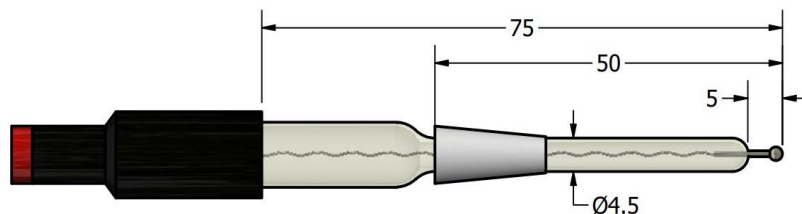
1.1.6 805/SPG/6

Platinum electrode with 4.5mm glass body to house the NS6 PTFE conical tapered joint adapter (upon request). Useful length of 110mm and overall length of 150mm. Metallic ending consist of a 2mm diameter platinum ball on 0.8mm platinum wire (overall ending length 5mm).



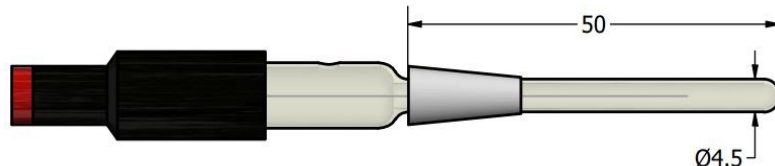
1.1.7 805/SPG/6JZ

Platinum electrode with 4.5mm glass body to house the NS6 PTFE conical tapered joint adapter (upon request). Useful length of 50mm and overall length of 75mm. Metallic ending consist of a 2mm diameter platinum ball on 0.8mm platinum wire (overall ending length 5mm).



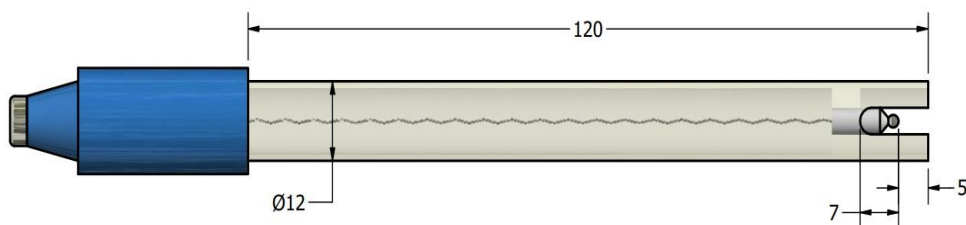
1.1.8 805/TPG/6JZ-C

Platinum electrode with salt bridge, developed for voltammetric analysis, where gas evolution at the counter electrode might interfere with active films deposited on working electrodes. 4.5mm glass body to house NS6 PTFE conical tapered joint adapter (upon request). Useful length of 50mm and overall length of 75mm. Internal platinum wire and ceramic porous frit. Filled with any electrolyte, depending on customer needs.



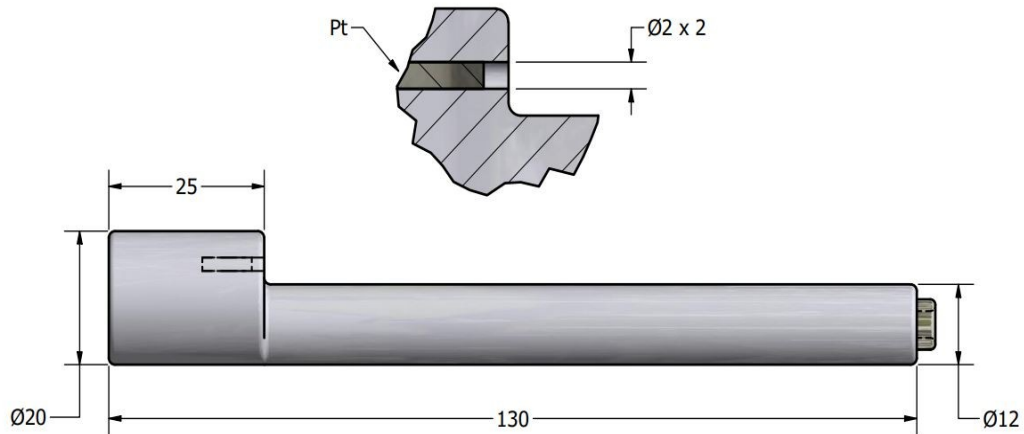
1.1.9 805/SPP/12

Standard 12mm plastic body platinum electrode. 120mm overall useful length. Platinum ball (2mm diameter) exposed metallic ending. Plastic protection of the active tip.



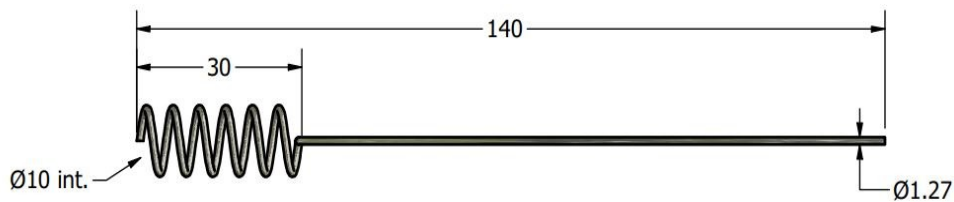
1.1.10 805/SPP/2

Special electrode for electrochemical measurements on limited amounts of powders. PTFE body and platinum active metallic ending. Manufactured upon customer request.



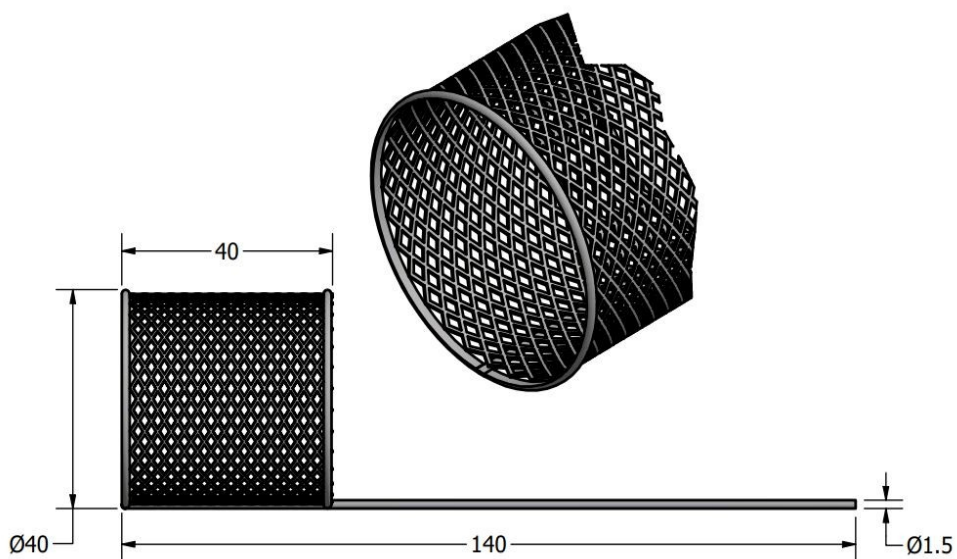
1.1.11 805/SEP/10

All-platinum helicoidal electrode developed for Model 2457 Electrogravimetric Analyzer.



1.1.12 805/SMP/40

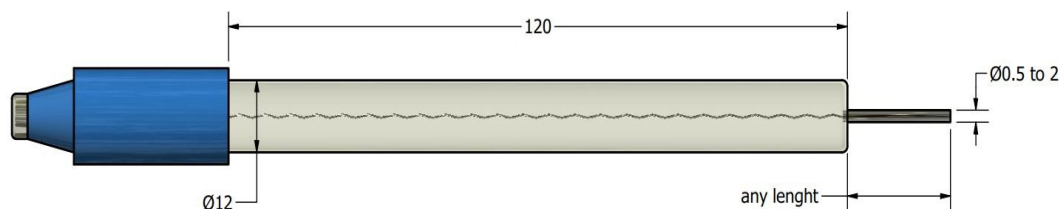
All-platinum cylindrical mesh electrode developed for Model 2457 Electrogravimetric Analyzer.



1.2 Silver

1.2.1 800/SSP/12-X

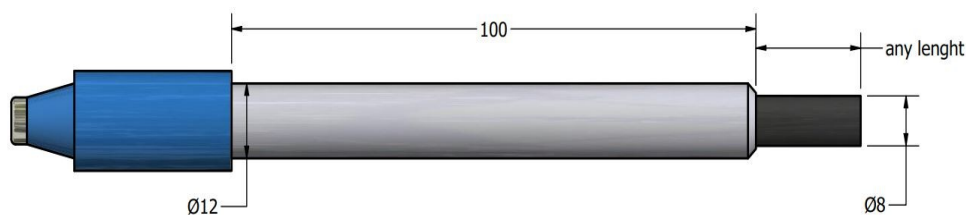
Standard silver electrode with 12mm plastic body. Fully customizable in wire diameter and length.



1.3 Graphite

1.3.1 810/SGP/8

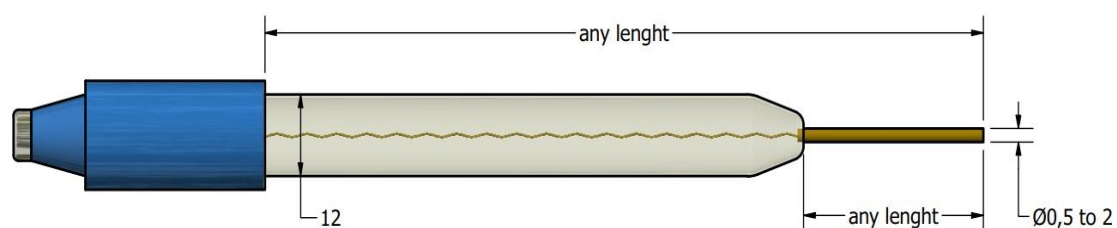
Standard graphite electrode with 12mm plastic body. Graphite ending of any length.



1.4 Gold

1.4.1 820/SGG/12-X

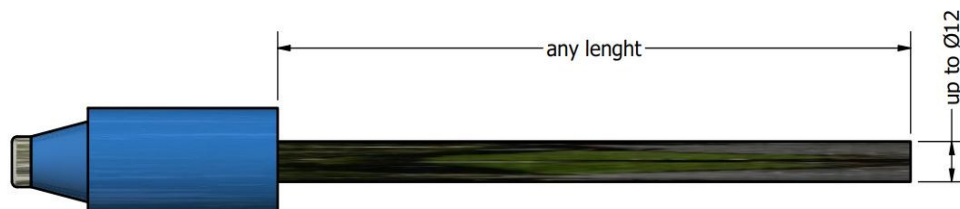
Gold wire electrode with 12mm glass body. Developed for mercury amalgam electrodes in voltammetry.



1.5 Generic

1.5.1 8XX/METAL

Generic metallic electrodes can be produced as bar-electrodes with 4mm banana connection plug. Please submit your request for any metal or even graphite electrodes.



1.6 Minielectrode Tips

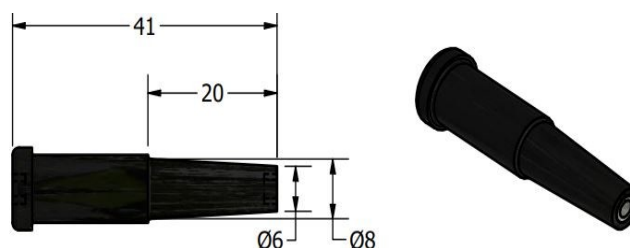
1.6.1 493

Support for 492/X and 492S/X tips. Developed as substitute of 12mm electrodes. Possible conical tapered joint via suitable 391/CR adapter.



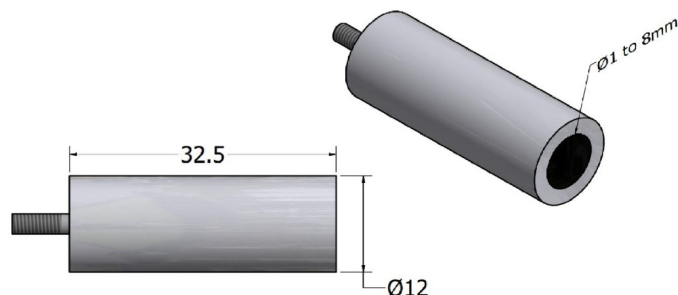
1.6.2 493/6JZ

Support for 492/X tips. Developed with built-in NS6 conical tapered joint for Model 4330 Voltammetric Analyzer. Suitable for NS12 conical insertions via 435/CR adapter. 2mm banana connection plug.



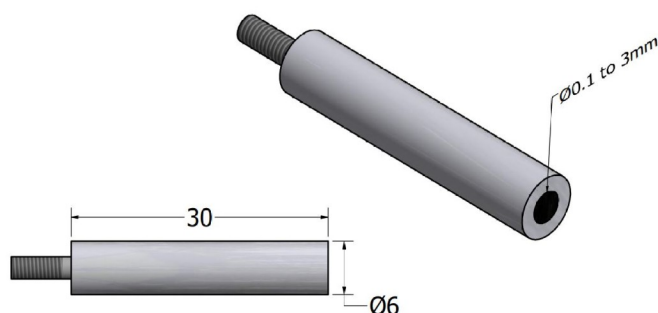
1.6.3 492S/X

Standard electrode tip with 12mm PTFE body. Produced upon customer request.



1.6.4 492/X

Standard minielectrode tip with 6mm PTFE body. Commonly available materials and disk dimensions are listed, any other can be produced, even with materials provided by customer. Developed for Model 4330 Voltammetric Analyzer.



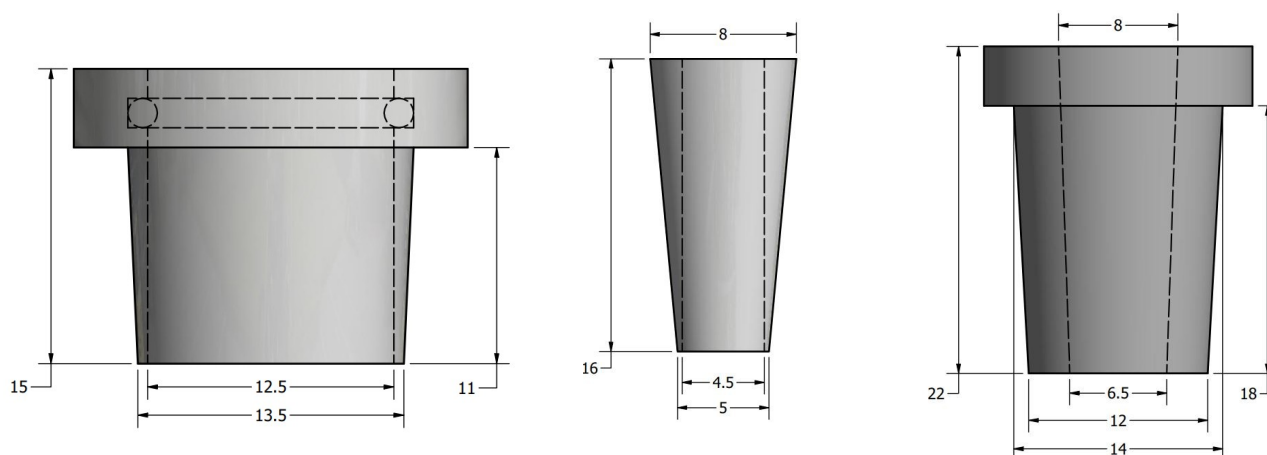
492/GC/3	Glassy Carbon, 3mm
492/PG/3	Pyrolytic Graphite, 3mm
492/CU/2	Copper, 2mm
492/CU/3	Copper, 3mm
492/AG/01	Silver, 0.01mm
492/AG/05	Silver, 0.05mm
492/AG/08	Silver, Ø0.8x10mm wire, GOST normatives
492/AG/1	Silver, 1mm
492/AG/3	Silver, 3mm
492/PT/1	Platinum, 1mm
492/PT/2	Platinum, 2mm
492/PT/3	Platinum, 3mm
492/AU/1	Gold, 1mm
492/AU/2	Gold, 2mm
492/NI/3	Nickel, 3mm
492/TI/3	Titanium, 3mm
492/BI/3	Bismuth, 3mm
492/PD/3	Palladium, 3mm

2 Custom Products

The available customizations are here listed. Submit our team a request if you need anything different and we will be pleased to help. Further ad hoc solutions have been developed for severe working pressures or non-conventional tube length, material and shape.

2.1 Conical Tapered Joint

Any electrode, either 4.5mm or 12mm body, can be equipped with plastic conical tapered joint adapter that allows for extended applications. Model 391/CR (left) has been developed for 12mm electrodes with O-Ring sealing for airtight installations, this NS12 plastic adapter can be easily removed by hand allowing for multiple uses of the same electrode. Model 391/CR6JZ (centre) is a PTFE NS6 adapter pressure fitted on 4.5mm electrodes upon request. Model 435/CR (right) allows for the use of NS6 conical tapered electrodes on NS12 fitting cells. Dimensions in mm. Adapters for specific applications can be produced.



2.2 Connection Plug

Standard laboratory electrodes come with banana plug (2mm for 6JZ models and 4mm for others), but other connection methods are available like through wire, shielded S7 plug, threaded bolt and others. Non-detachable wire is particularly indicated for industrial applications.