

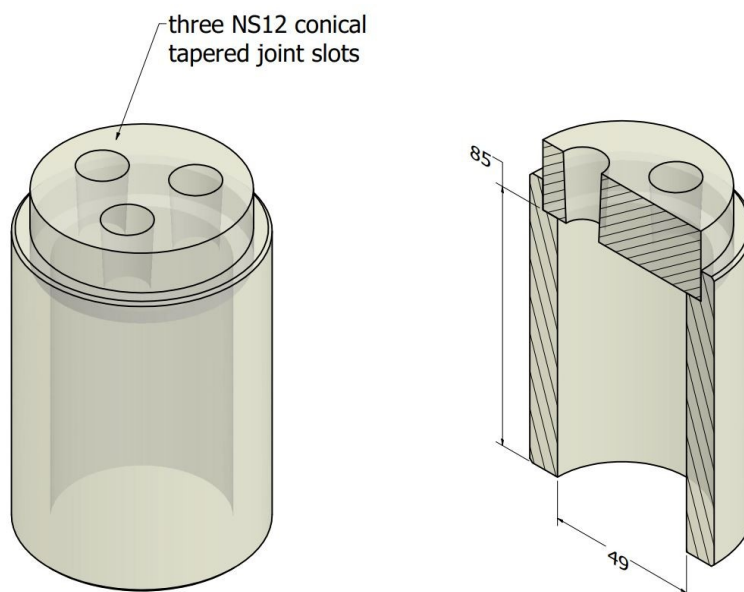
Open Bottom Cells

Table of Contents

1 Model 598PTN.....	1
2 Model 598PTN/75.....	2
3 Accessories.....	2

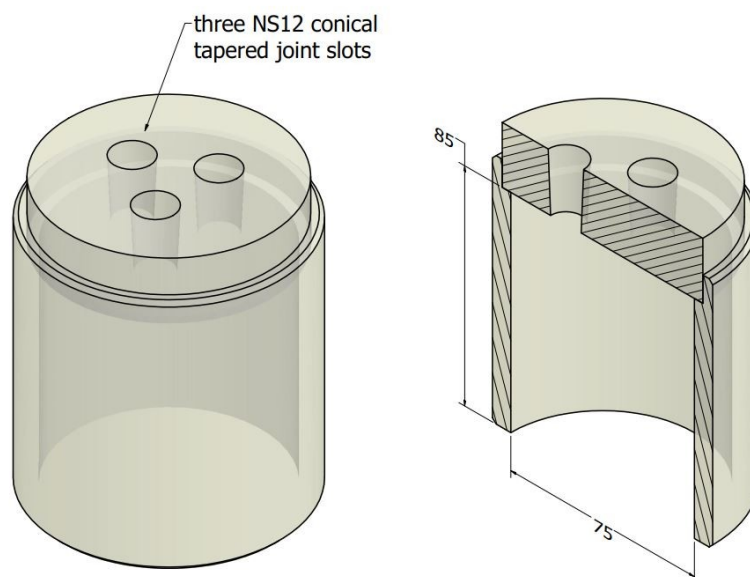
1 Model 598PTN

Model 598PTN has been developed for three-electrodes configuration measurements on large surfaces which cannot be taken in the laboratory or with samples which might be damaged during cut to fit flat specimen cells. AMEL suggests using around 125mL of working solution in this PMMA cell. The closing cap embeds three NS12 conical tapered joint housing for any AMEL's electrode fitted with the appropriate adapter. Closing cap is completely customizable.



2 Model 598PTN/75

Model 598PTN/75 is the larger version of Model 598PTN and has been developed for three-electrodes configuration measurements on large surfaces which cannot be taken in the laboratory or with samples which might be damaged during cut to fit flat specimen cells. AMEL suggests using around 300mL of working solution in this PMMA cell. The closing cap embeds three NS12 conical tapered joint housing for any AMEL's electrode fitted with the appropriate adapter. Closing cap is completely customizable.



3 Accessories

Suggested models for reference, counter and pH electrodes: both cell can fit Ø12mm electrodes with 391/CR NS12 conical tapered joint adapter or alternatively any Ø6mm electrode with 391/CR6JZ NS6 conical tapered joint adapter and 435/CR NS6 to NS12 adapter. Any conductivity cell of diameter 12mm can be used with 391/CR NS12 conical tapered joint adapter.

The following accessories are compatible with both 598PTN and 598PTN/75 cells allowing for a wide range of applications.

- 494/MHS Plastic cap for NS12 conical tapered fitting
- 494/GB Gas bubbler with NS12 conical tapered joint
- 599/LU Luggin capillary with NS12 conical tapered joint