

Ion Selective Electrodes

Table of Contents

1 Standard Products.....	1
1.1 201/X.....	1
1.1.1 Single.....	2
1.1.2 Combined.....	2
2 Custom Products.....	3
2.1 Conical Tapered Joint.....	3
2.2 Hydrodynamic Measurements.....	3

1 Standard Products

The products listed below are commonly available in our warehouse, but we are glad to deliver any ad hoc solution for you needs. Please refer to section 2 for customization capabilities and feel free to submit your request to our team. Electrodes are fully customizable in dimensions and materials. Dimensions in mm.

1.1 201/X

General structure of AMEL's ion selective electrodes. Available electrodes both single or in combination with Ag/AgCl reference are listed below with working temperature and pH range.



1.1.1 Single

			Lower limit (ppm)	pH range	Temperature range (°C)
201/NH4	Ammonium	NH ₄ ⁻	0,02	11 to 13	0 to +50
201/BA	Barium	Ba ²⁺	10	5 to 9	0 to +50
201/BR	Bromide	Br	0,4	2 to 12	0 to +80
201/CD	Cadmium	Cd ²⁺	0,2	3 to 7	0 to +80
201/CA	Calcium	Ca ²⁺	0,02	4 to 9	0 to +50
201/CL	Chloride	Cl ⁻	1,8	2 to 11	0 to +80
201/CU	Copper	Cu ²⁺	0,3	0 to 7	0 to +80
201/CN	Cyanide	CN ⁻	0,03	10 to 14	0 to +80
201/F	Fluoride	F	0,01	5 to 8	0 to +80
201/I	Iodide	I ⁻	0,02	3 to 12	0 to +80
201/PB	Lead	Pb ²⁺	1	0 to 9	0 to +80
201/NO	Nitrate	NO ₃	0,08	3 to 10	0 to +50
201/K	Potassium	K ⁺	0,04	4 to 9	0 to +50
201/AG	Silver	Ag ⁺	0,01	2 to 9	0 to +80
201/NA	Sodium	Na ⁺	0,001	9 to 12	-5 to +70

1.1.2 Combined

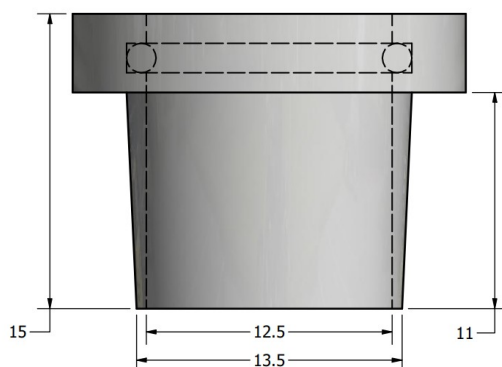
			Lower limit (ppm)	pH range	Temperature range (°C)
201/NH4/CO	Ammonium	NH ₄ ⁻	0,9	0 to 8,5	0 to +50
201/CA/CO	Calcium	Ca ²⁺	0,02	3,5 to 11	0 to +50
201/CL/CO	Chloride	Cl ⁻	1	1 to 12	+5 to +50
201/F/CO	Fluoride	F	0,02	4 to 8	+5 to +50
201/NO/CO	Nitrate	NO ₃	0,4	2 to 11	0 to +50
201/K/CO	Potassium	K ⁺	0,04	1 to 9	0 to +50
201/NH3/CO	Ammonia	NH ₃			

2 Custom Products

The available customizations are here listed. Submit our team a request if you need anything different and we will be pleased to help. Further ad hoc solutions have been developed for severe working pressures or non-conventional tube length, material and shape.

2.1 Conical Tapered Joint

Any electrode can be equipped with plastic conical tapered joint adapter that allows for extended applications. Model 391/CR has been developed for 12mm electrodes with O-Ring sealing for airtight installations, this NS12 plastic adapter can be easily removed by hand allowing for multiple uses of the same electrode. Dimensions in mm. Adapters for specific applications can be produced.



2.2 Hydrodynamic Measurements

In order to perform in-line recording of solution ion concentration, Model 194, in the figure below, has been developed being able to accommodate any 12mm body electrode.

