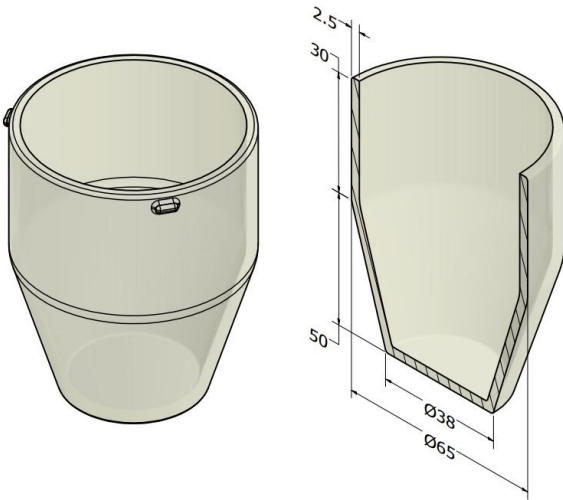


General Purposes Cell

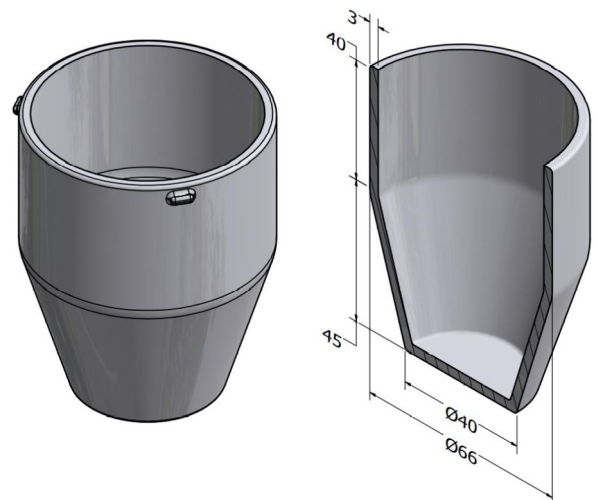
Model 497



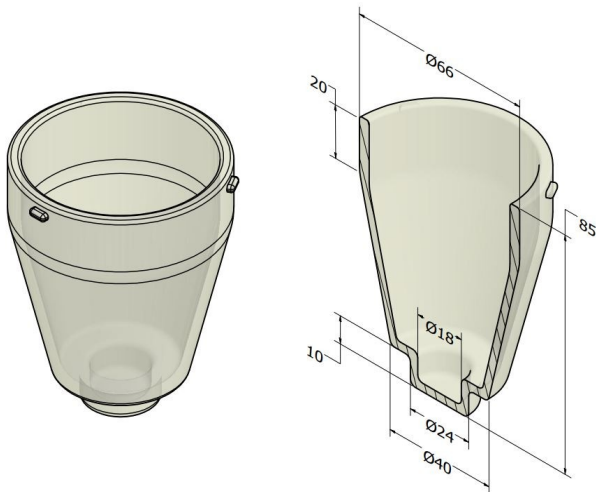
Model 497 is a general purposes cell with polypropilene head and screw-on cup. Possibility to accomodate up to 5 elements of 12mm in diameter, being reference, working or counter electrodes along with gas bubblers and luggin capillary. The cell usually comes with simple 70mL Pyrex cup, but pyrex cell with thermostatic jacket, pyrex cell with contact for mercury bottom and PTFE cell are also available. Please refer to quoted pictures below for dimensions. The cell usually comes in a kit with steel support and plastic stand.



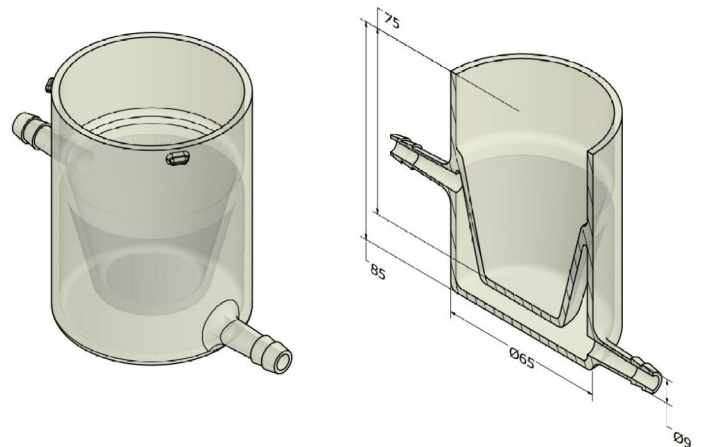
Standard pyrex cell 499/GC



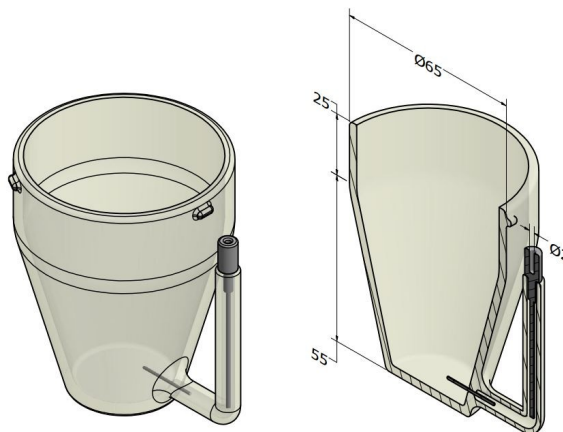
PTFE cell 494/TE



Pyrex cell with stirrer housing 497/GC/A



Pyrex cell with thermstatic jacket 499/TJ



Pyrex cell with mercury bottom and platinum contact 494/CB



Each cell comes in a set with basic accessories: 70mL Pyrex cup (499/GC), PVC cover (497/MH), gas bubbler (497/GB), Pyrex cup gasket (494/MHG), polypropilene cap for electrodes housings (494/MHS), steel cell support (494/CH), Luggin capillary (497/LU) and complete support stand (591/BASE & 591/COBO).

Suggested electrodes as working (WE), reference (RE), counter (CE) , pH and conductivity are 12mm body electrodes without conical adapter. Gastight realing is guaranteed by five individual sealing gaskets embedded in the cell cover.

The following accessories are suggested for common operations of the cell.

497/AC	Anodic compartment with ceramic frit
497/GB	Gas bubbler
497/LU	Luggin capillary
497/MH	PVC cover
494/CH	Steel cell support
494/MHG	Cell cover sealing gasket
497/MHS	Plastic cap for electrodes housings
497/CJG/12	Reference electrode jacket with ceramic frit
591/BASE	Universtal stand
591/COBO	Universal connection hub