

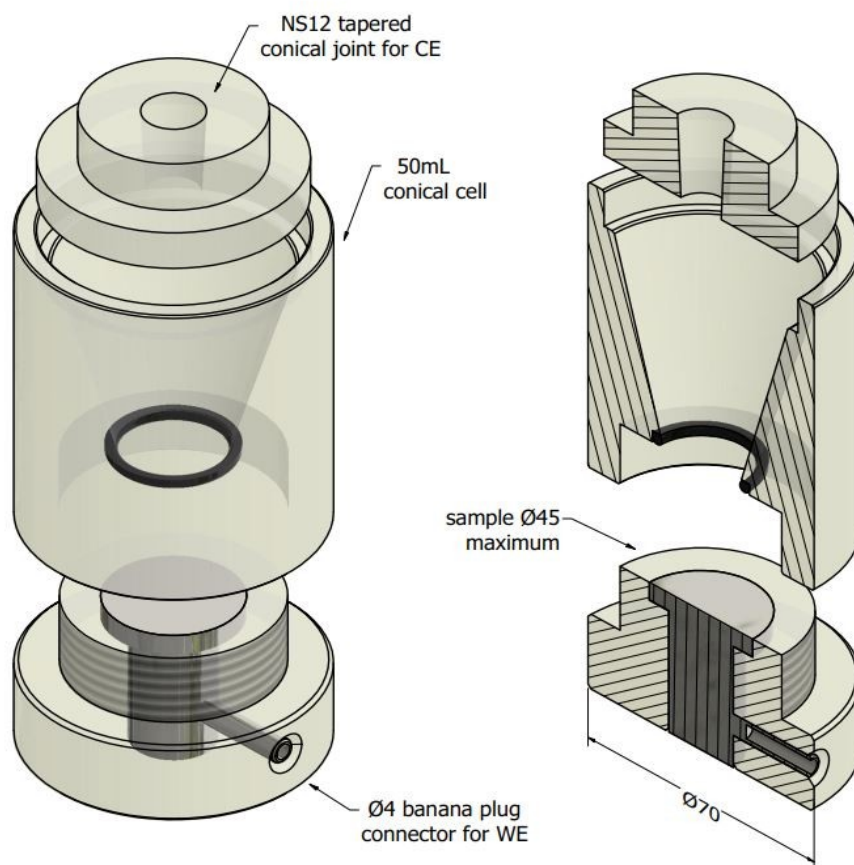
Flat Specimen Cells

Table of Contents

1 Model 598.....	1
2 Model 498.....	2
3 Model 597.....	3
4 Model 599.....	4

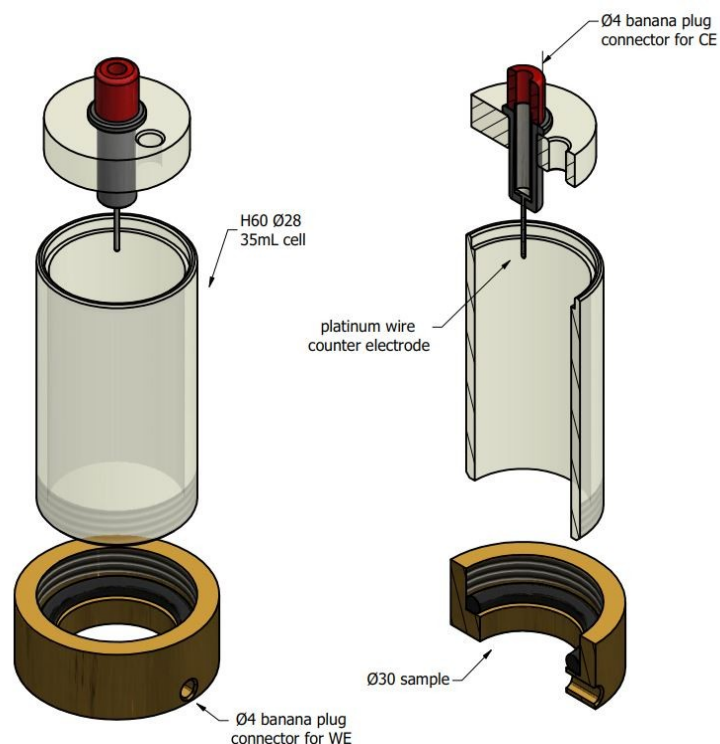
1 Model 598

Model 598 has been developed for two-electrodes configuration with exposed sample area of 6cm^2 , being the maximum diameter of the tested sample 45mm . AMEL suggests using around 50mL of working solution. The closing cap embeds an NS12 conical tapered joint housing for any AMEL's electrode fitted with the appropriate adapter. Any $\text{Ø}12\text{mm}$ counter electrode can be used with 391/CR conical adapter or $\text{Ø}6\text{mm}$ with 391/CR6JZ and 435/CR conical adapters.



2 Model 498

Model 498 is the smaller version of Model 598, it incorporates a platinum wire counter electrode and a smaller cell with overall volume of 35mL. AMEL suggests using around 25mL of working solution. Maximum sample diameter 30mm and exposed sample area of 6cm². The cell works with an ad hoc platinum wire counter electrode (498/PT).



3 Model 597

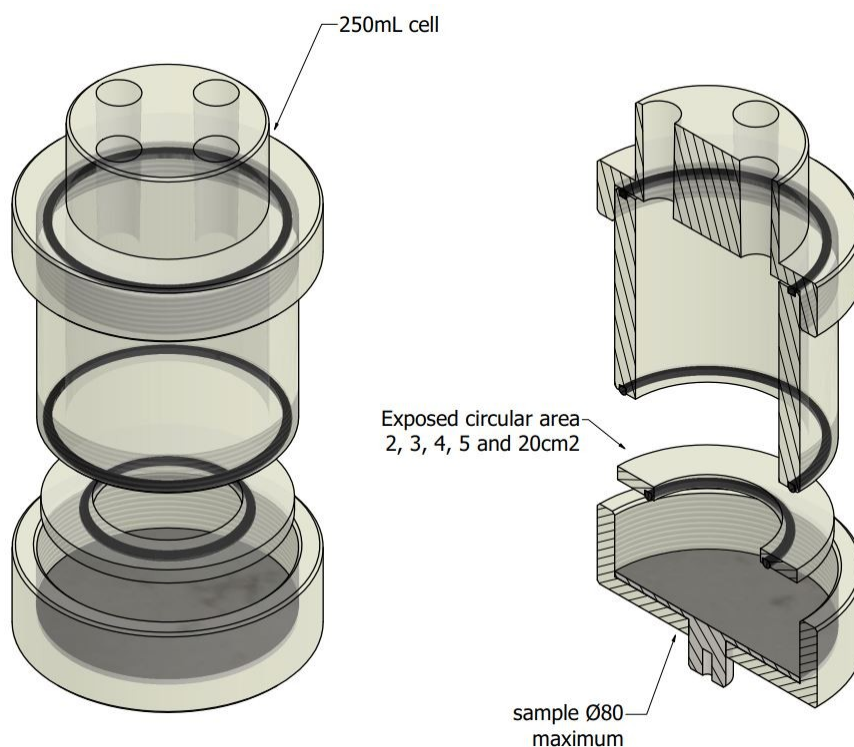
Model 597 has been developed in order to be a widely versatile cell for testing of flat specimens. The exposed area can be easily changed by substituting the covering mask, many standard masks are available but even more can be produced upon request. The cell is gas gastight, allowing to work in inert atmosphere. On the closing cap, four NS12 conical tapered joint housings are able to accomodate any AMEL's electrode with the appropriate plastic adapter. The cell usually comes in a kit with an ad-hoc stand.

Each cell comes in a set including general operation parts: PMMA 250mL main body (597/MB), steel cell support (597/CH), gas bubbler (494/GB), two Luggin capillary (2x 597/LU), two main body sealing gaskets (2x 597/OR), sample mask and sealing gasket (597/SH-X & 597/SHOR-X), complete support stand (591/BASE & 591/COBO).

Suggested electrodes for reference (RE), counter (CE) and pH are Ø12mm with 391/CR adapter or Ø6mm with 391/CR and 435/CR adapters. Conductivity cells only come in Ø12mm and require 391/CR adapter for proper operations with this cell.

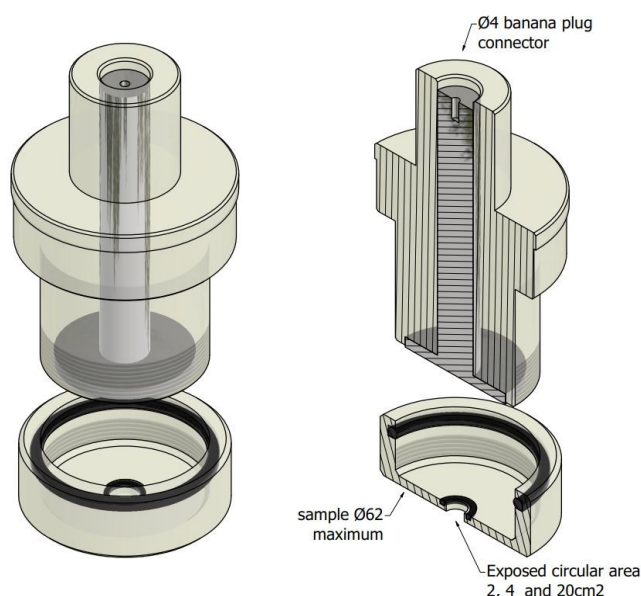
The following accessories are suggested for common operations of the cell.

597/CH	Steel cell support
494/GB	Gas bubbler
597/LU	Luggin capillary
597/MB	PMMA 250mL main body
494/MHS	Plastic cap for NS12 conical tapered fitting
597/OR	Main body sealing gasket
597/SH-X	Sample mask with exposed area of 2, 3, 4, 5 and 20cm ²
597/SHOR-X	Sample mask sealing gasket with exposed area of 2, 3, 4, 5 and 20cm ²
591/BASE	Universal Stand
591/COBO	Universal connection hub



4 Model 599

Model 599 is the thermostated version of Model 597, with a similar construction principle which allows for quick and easy change of the working area diameter by screw-on caps of different diameter. 500mL capacity.



Each cell comes in a set including general operation parts: Pyrex cell (599/MB), PMMA main body (599/SH), polypropilene top cover (599/MR), gas bubbler (494/GB), two Luggin capillary (2x 599/LU), sample mask and sealing gasket (599/SH-X & 599/SHOR-X), magnetic stirrer (203/LF) and complete support stand (591/BASE & 591/COBO).

Suggested electrodes for reference (RE), counter (CE) and pH are Ø12mm with 391/CR adapter or Ø6mm with 391/CR and 435/CR adapters. Conductivity cells only come in Ø12mm and require 391/CR adapter for proper operations with this cell.



PRODUCT CODE:

Flat Specimen Cells

REVISION:

16/01/2020

PAGE:

5 of 5

The following accessories are suggested for common operations of the cell.

599/MB	<i>Pyrex main cell 500mL</i>
599/MR	<i>Polypropilene top cover</i>
599/SH	<i>PMMA main body</i>
599/SH-X	Sample mask with exposed area of 2, 4 and 20cm ²
599/SHOR-X	Sample mask sealing gasket with exposed area of 2, 4 and 20cm ²
494/GB	<i>Gas bubbler</i>
494/MHS	Plastic cap for NS12 conical tapered fitting
599/LU	<i>Luggin capillary</i>
591/BASE	<i>Universal stand</i>
591/COBO	<i>Universal connection hub</i>
203/LF	<i>Magnetic stirrer</i>