

Dissolved Oxygen Electrodes

Table of Contents

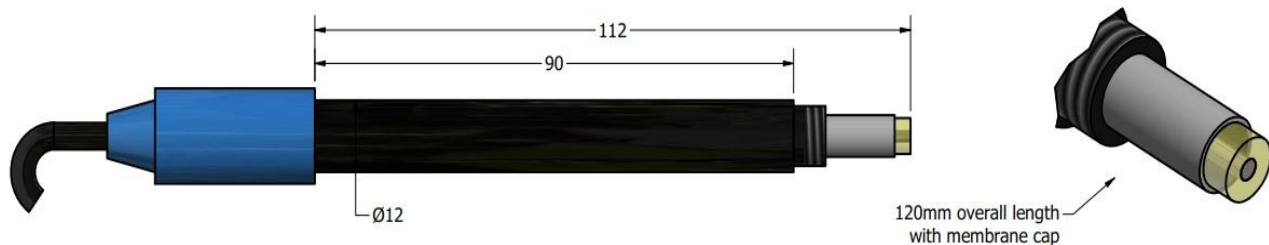
1 Standard Products.....	1
1.1 332/P.....	1
1.2 332/Pb.....	1
1.3 332/M.....	2
2 Custom Products.....	2
2.1 Conical Tapered Joint.....	2
2.2 Connection Plug.....	2

1 Standard Products

The products listed below are commonly available in our warehouse, but we are glad to deliver any ad hoc solution for you needs. Please refer to section 2 for customization capabilities and feel free to submit your request to our team. Electrodes are fully customizable in dimensions and materials. Dimensions in mm.

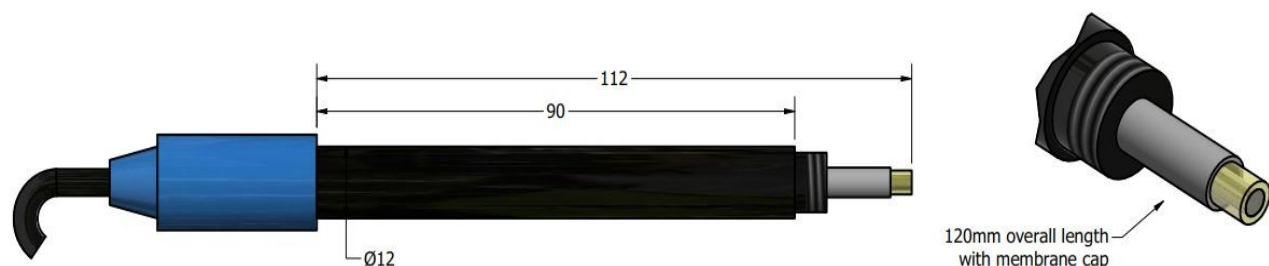
1.1 332/P

Platinum tip dissolved oxygen electrode with embedded PT1000 thermometric probe. Compatible with 391/CR plastic NS12 conical tapered adapter.



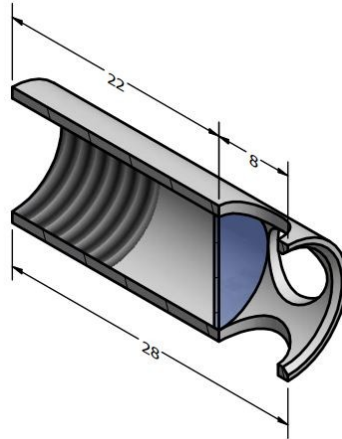
1.2 332/Pb

Lead body dissolved oxygen electrode. Compatible with 391/CR plastic NS12 conical tapered adapter.



1.3 332/M

Dissolved oxygen replaceable membrane with all-around protection to avoid damaged due to contact with other surfaces. Comptatible with electrodes using older AMEL's membrane.

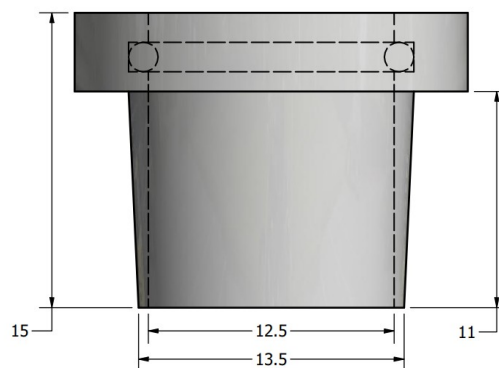


2 Custom Products

The available customizations are here listed. Submit our team a request if you need anything different and we will be pleased to help. Further ad hoc solutions have been developed for severe working pressures or non-conventional tube lenght, material and shape.

2.1 Conical Tapered Joint

Any electrode can be equipped with plastic conical tapered joint adapter that allows for extended applications. Model 391/CR has been developed for 12mm electrodes with O-Ring sealing for airtight installations, this NS12 plastic adapter can be easily removed by hand allowing for multiple uses of the same electrode. Dimensions in mm. Adapters for specific applications can be produced.



2.2 Connection Plug

Commonly, laboratory dissolved oxygen electrodes come in through-cable configuration. Other connection plugs are available, feel free to get in touch with our team.

2.3 Hydrodynamic Measurements

In order to perform in-line recording of solution oxygen content, Model 194, in the figure below, has been developed being able to accommodate any 12mm body electrode.

