

Conductivity Cells

Table of Contents

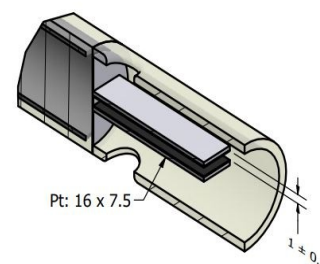
1 Standard Products.....	1
1.1 192/K10.....	1
1.2 192/K1.....	2
1.3 192/K0,1.....	2
1.4 192/K0,01.....	2
1.5 2192/K1.....	3
1.6 196.....	3
1.7 197.....	3
1.8 2196.....	4
1.9 198.....	4
1.10 2198.....	4
1.11 193.....	5
2 Custom Products.....	6
2.1 Conical Tapered Joint.....	6
2.2 Connection Plug.....	6
2.3 Hydrodynamic Measurements.....	6

1 Standard Products

The products listed below are commonly available in our warehouse, but we are glad to deliver any ad hoc solution for you needs. Please refer to section 2 for customization capabilities and feel free to submit your request to our team. Electrodes are fully customizable in dimensions and materials. Dimensions in mm.

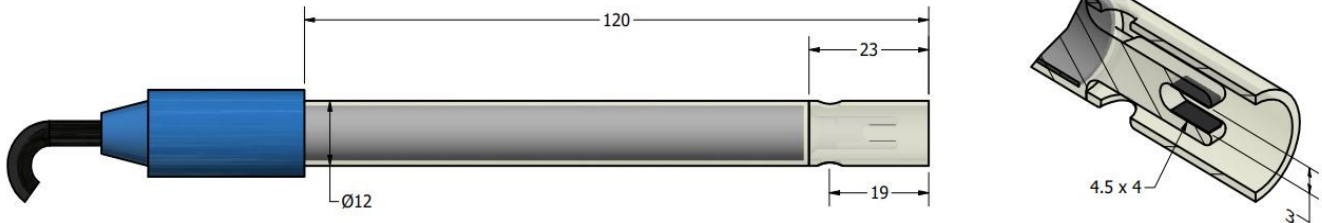
1.1 192/K10

Glass cell for conductivity measurements in the range 0,1 μ S to 10mS with cell constant K = 10cm. Black platinum electrodes guarantee linearity in the whole measurement range. Working temperature in the range -5 to 90°C. Compatible with 391/CR plastic NS12 conical tapered adapter.



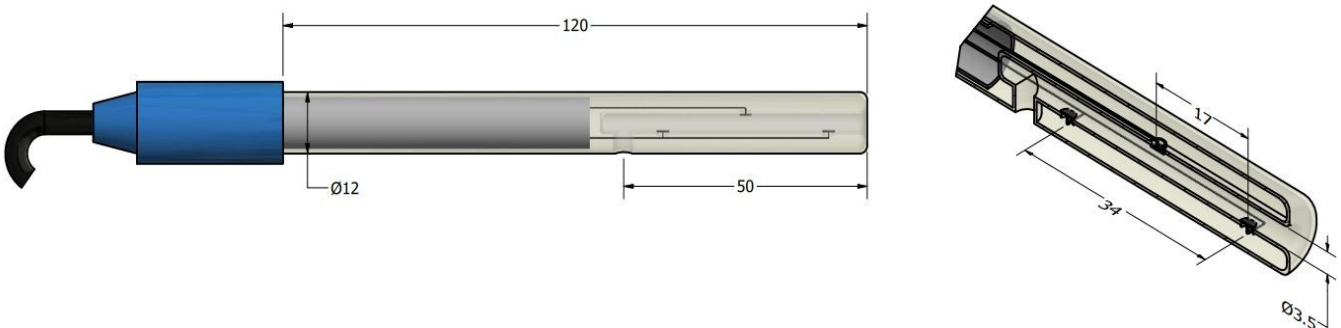
1.2 192/K1

Glass cell for conductivity measurements in the range 0mS to 10mS with cell constant $K = 1\text{cm}$. Black platinum electrodes guarantee linearity in the whole measurement range. Working temperature in the range -5 to 90°C . Compatible with 391/CR plastic NS12 conical tapered adapter.



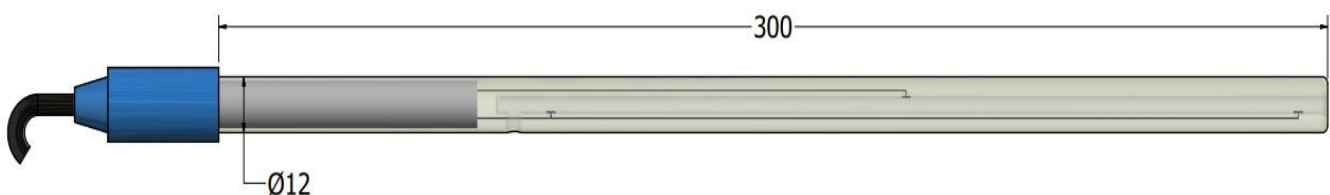
1.3 192/K0,1

Glass cell for conductivity measurements in the range 2mS to 500mS with cell constant $K = 0.1\text{cm}$. Black platinum electrodes guarantee linearity in the whole measurement range. Working temperature in the range -5 to 90°C . Compatible with 391/CR plastic NS12 conical tapered adapter.



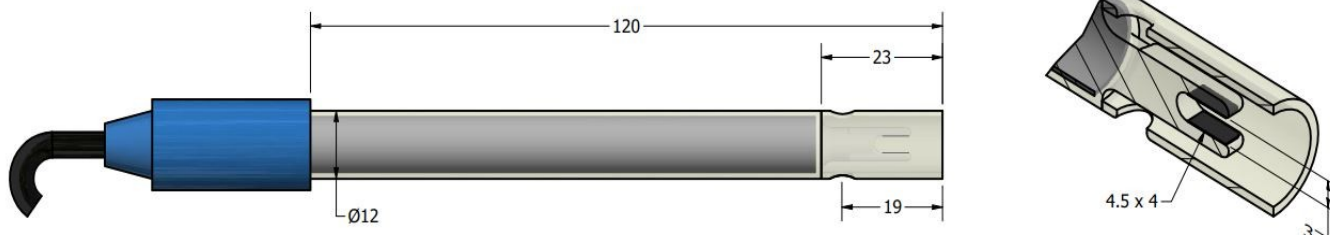
1.4 192/K0,01

Glass cell for conductivity measurements in the range $0,1\mu\text{S}$ to 10mS with cell constant $K = 0.01\text{cm}$. Black platinum electrodes guarantee linearity in the whole measurement range. Working temperature in the range -5 to 90°C . Compatible with 391/CR plastic NS12 conical tapered adapter. Similar in structure to 192/K0,1 cell, with longer measuring channel.



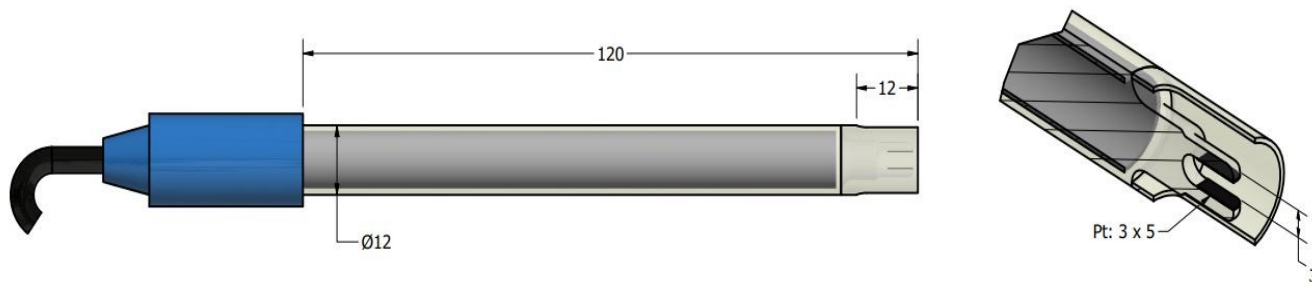
1.5 2192/K1

Glass cell for conductivity measurements in the range 0mS to 10mS with embedded PT1000 temperature sensor. Cell constant $K = 1\text{cm}$. Black platinum electrodes guarantee linearity in the whole measurement range. Working temperature in the range -5 to 90°C . Compatible with 391/CR plastic NS12 conical tapered adapter.



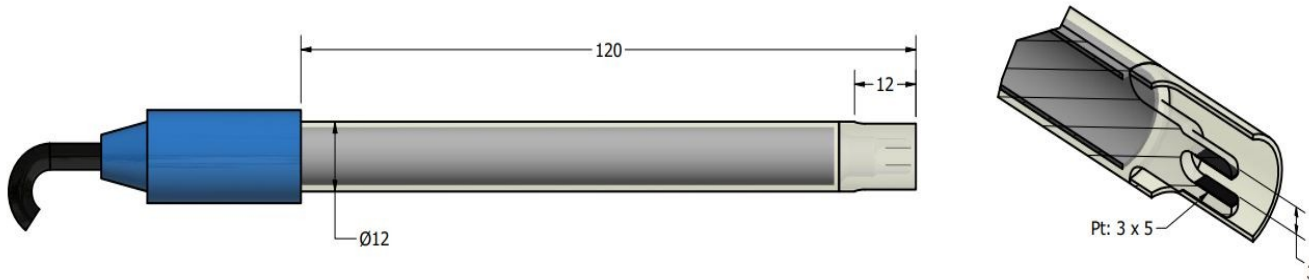
1.6 196

Plastic cell for conductivity measurements with embedded TC100 temperature sensor. Black platinum electrodes ensure linearity in the whole measurement range. Cell constant $K = 1\text{cm}$. Compatible with 391/CR plastic NS12 conical tapered adapter.



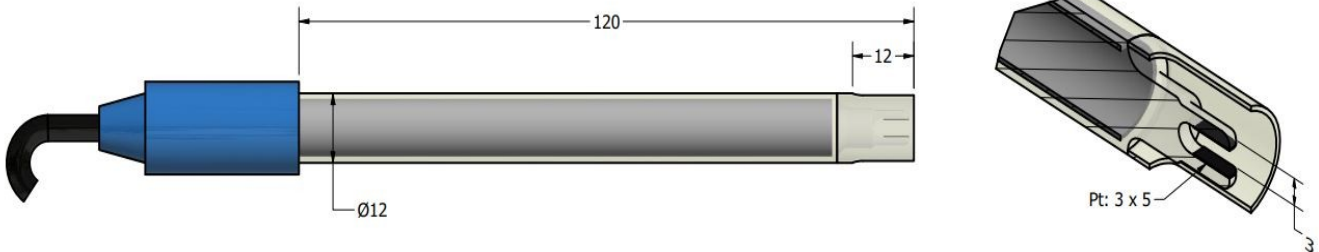
1.7 197

Plastic cell for conductivity measurements. Black platinum electrodes guarantee linearity in the whole measurement range. Cell constant $K = 1\text{cm}$. Compatible with 391/CR plastic NS12 conical tapered adapter.



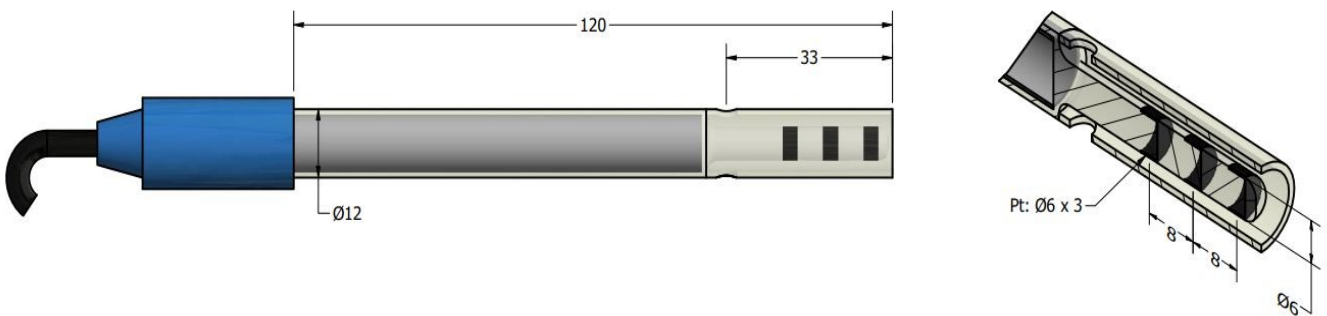
1.8 2196

Plastic cell for conductivity measurements with embedded PT1000 temperature sensor. Black platinum electrodes guarantee linearity in the whole measurement range, cell constant $K = 1\text{cm}$. The electrode is compatible with 391/CR plastic NS12 conical tapered adapter.



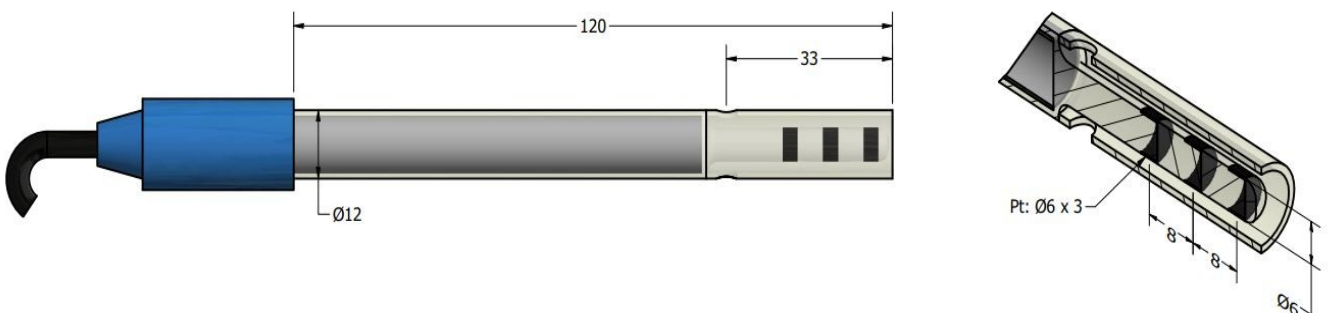
1.9 198

Three platinum rings glass cell for conductivity measurements in the range 0mS to 100mS. Cell constant $K = 1\text{cm}$. Black platinum electrodes guarantee linearity in the whole measurement range. Working temperature in the range 0 to 80°C. Compatible with 391/CR plastic NS12 conical tapered adapter.



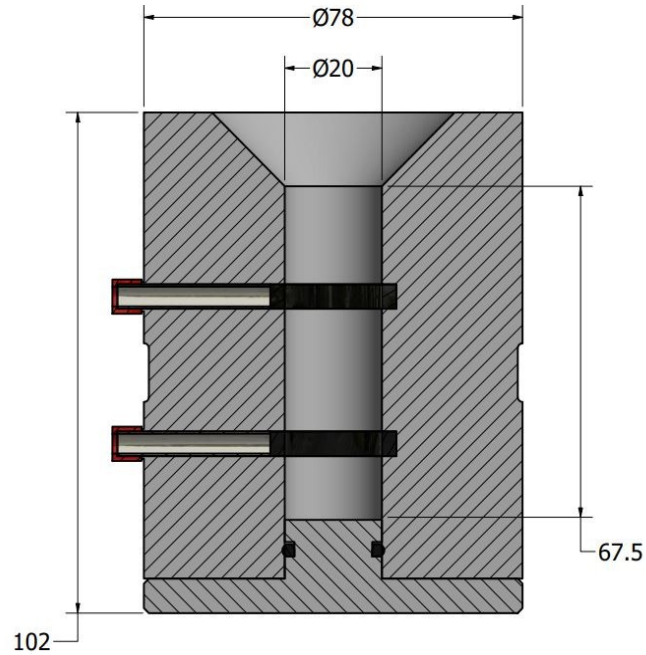
1.10 2198

Three platinum rings glass cell for conductivity measurements in the range 0mS to 100mS with embedded PT1000 temperature sensor. Cell constant $K = 1\text{cm}$. Black platinum electrodes guarantee linearity in the whole measurement range. Working temperature in the range 0 to 80°C. Compatible with 391/CR plastic NS12 conical tapered adapter.



1.11 193

Two graphite rings plastic cell for conductivity measurements of pastes and muds. OR sealing of the lower closing cap. Manual load and unload of the sample.

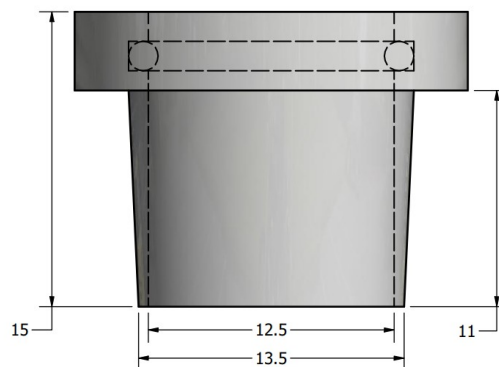


2 Custom Products

The available customizations are here listed. Submit our team a request if you need anything different and we will be pleased to help. Further ad hoc solutions have been developed for severe working pressures or non-conventional tube length, material and shape.

2.1 Conical Tapered Joint

Any electrode can be equipped with plastic conical tapered joint adapter that allows for extended applications. Model 391/CR has been developed for 12mm electrodes with O-Ring sealing for airtight installations, this NS12 plastic adapter can be easily removed by hand allowing for multiple uses of the same electrode. Dimensions in mm. Adapters for specific applications can be produced.



2.2 Connection Plug

Commonly, laboratory conductivity cells come with through cable. Other connection plugs are available, feel free to get in touch with our team.

2.3 Hydrodynamic Measurements

In order to perform in-line recording of solution conductivity, Model 194, in the figure below, has been developed being able to accommodate any 12mm body electrode.

